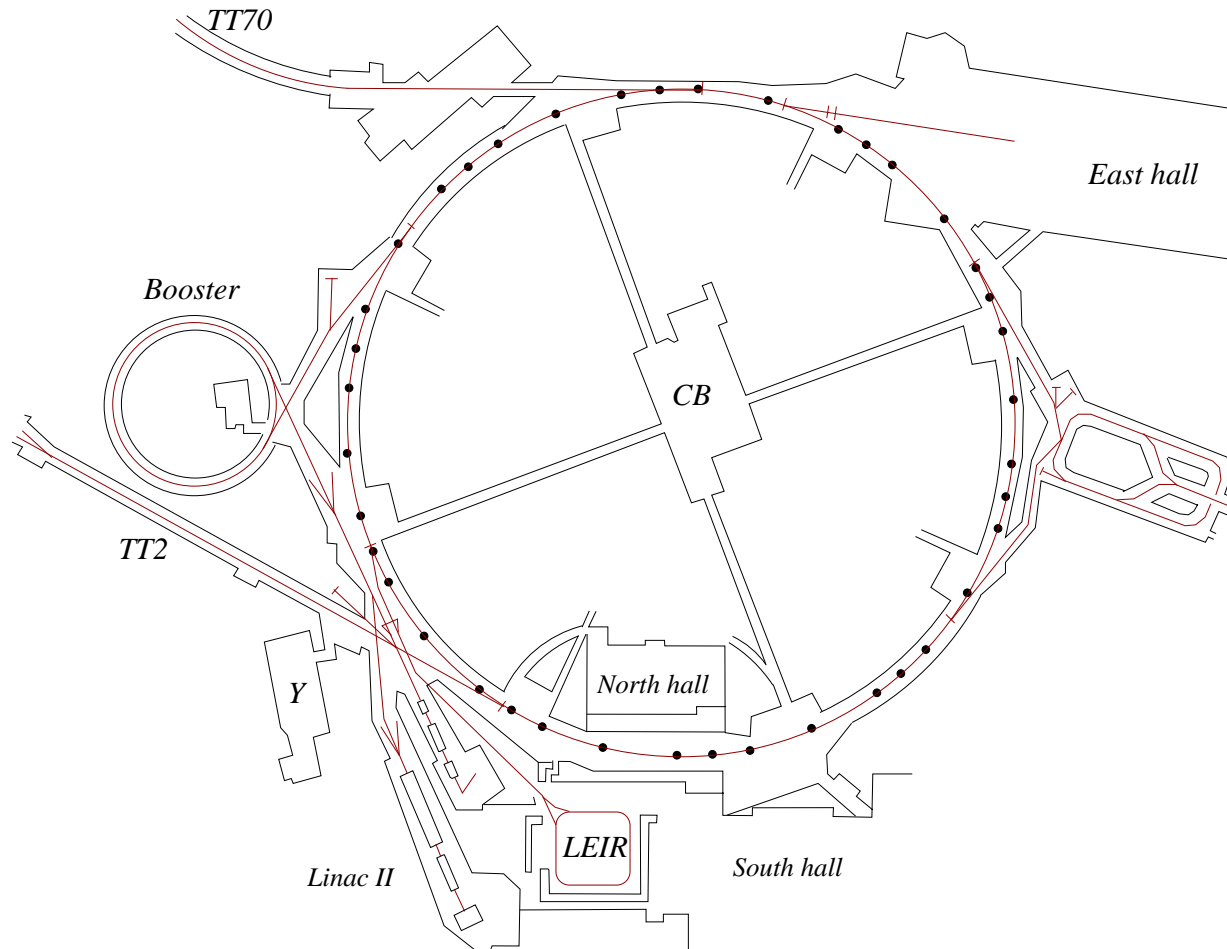




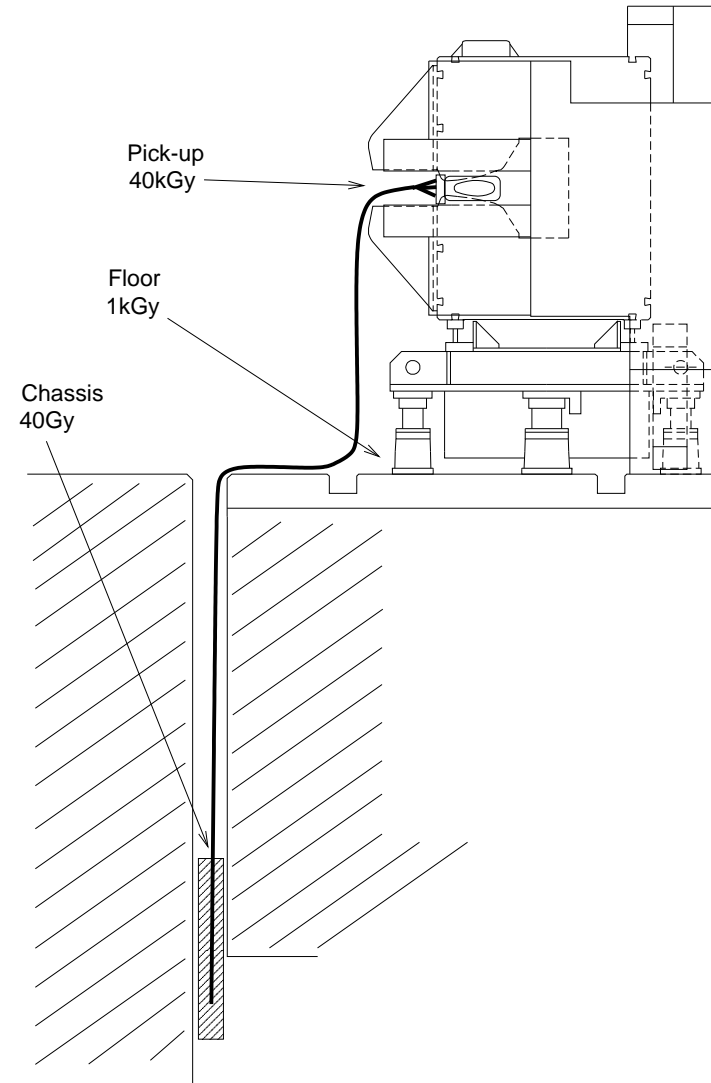
The PS accelerator complex





Cross-section of the main magnet

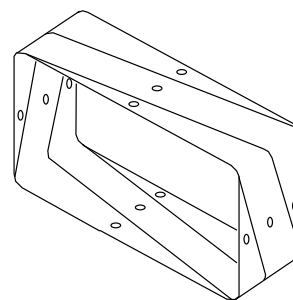
- Pick-ups in pumping manifolds
- Electronics under concrete beam
(For radiation protection)





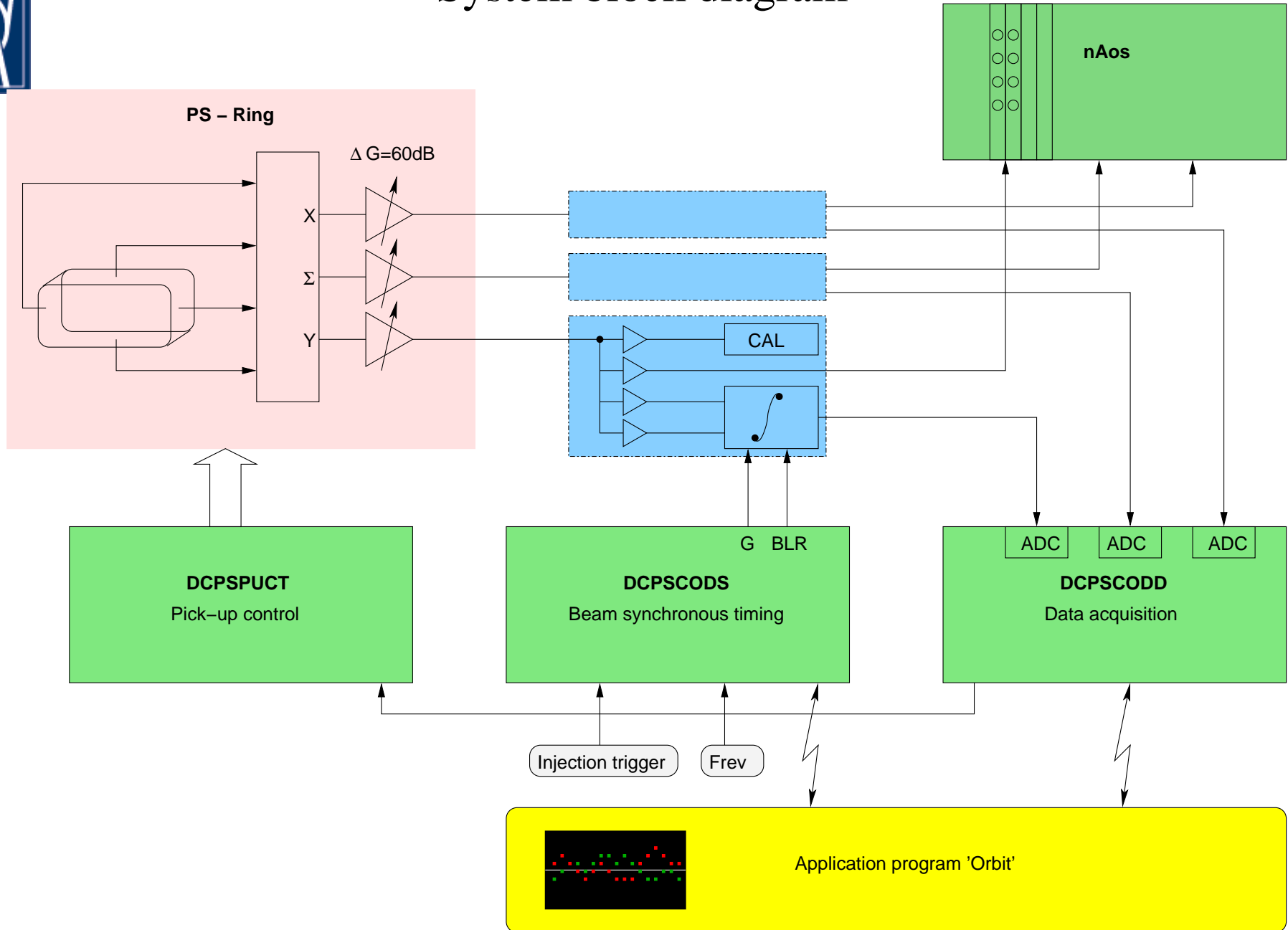
Pick-up electrodes

- Four electrodes
- $C_{el} = 100\text{pF}$
- $R_t = 0.5 \Omega$
- Aperture 166x80mm
- Length 62mm





System block diagram





System block diagram

